



## **Packaging machinery**

### **VPA-905AB**

**广州锐嘉工业股份有限公司**

GUANGZHOU V-PACK INDUSTRY CORPORATION LIMITED

**Machine composition and parameters**

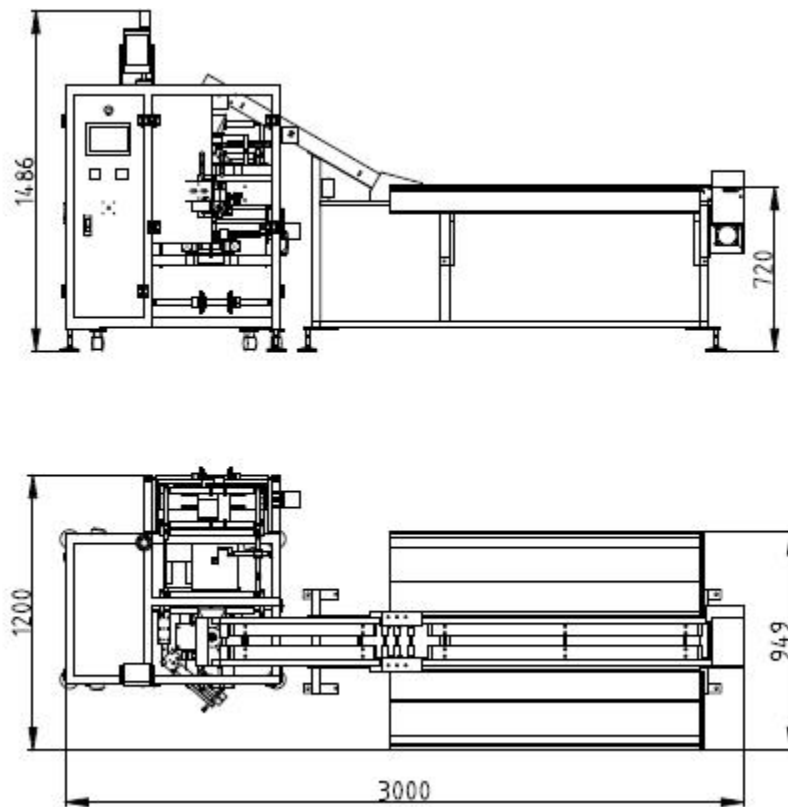


Figure 3-1-1

Packaging speed	30-60 bags/min (related to manual weighing speed and material characteristics)
Packaging weight	3-200g/bag (related to material density and shape)
Weighing accuracy	determined by manual weighing and materials
Film roll diameter/film width	maximum 350mm/120-280mm
Bag-making specifications	W(50~140) x L(60~165)mm
Roll core size/roll film material	universal 3 inch (7.62 cm) roll core/common composite plastic roll film
Bag-making form	back seal
Sealing form	straight and dentate
Power supply	single-phase 220V $\pm$ 10% 50Hz
Power	Max. 2.5kw
Air source	dry and clean compressed air 0.4-0.7Mpa
Air consumption	85L/min (0.6MPa, including flapping state)
Overall dimensions	3000x1200x1486mm
Machine weight	300kg

## Appearance picture



## Application

It is often used for packaging materials that are easy to slip and have irregular shapes, which are not easy to weigh, but easy to package. They are especially suitable for the packaging of Chinese herbal medicine pieces. Small-dose semi-automatic packaging machines are often used for packaging 3-50g materials.

Manually weigh the materials that need to be bagged, automatically make bags and package them into bags, to solve the packaging of materials that are not easy to weigh.

The equipment is aimed at 3-50g small doses of difficult-to-weigh fluffy flowers and irregular sheet-shaped materials, which cannot be automatically weighed and packaged in Chinese herbal medicine pieces. It is aimed at the production of small packages such as rhizomes, branches, flowers and plants. It needs manual weighing and feeding, and the equipment can automatically complete the bag making and sealing, counting the number of packages, and printing the production information. At the same time, the equipment can also be added without materials to stop the package function, to avoid the cost of consumables caused by the "empty package".

For the confidentiality of the customer's on-site situation, only a small part of the on-site pictures with the customer's consent are listed.



**Our Customers** (Thanks to more than 800 customers in the Chinese medicine industry for their recognition)

